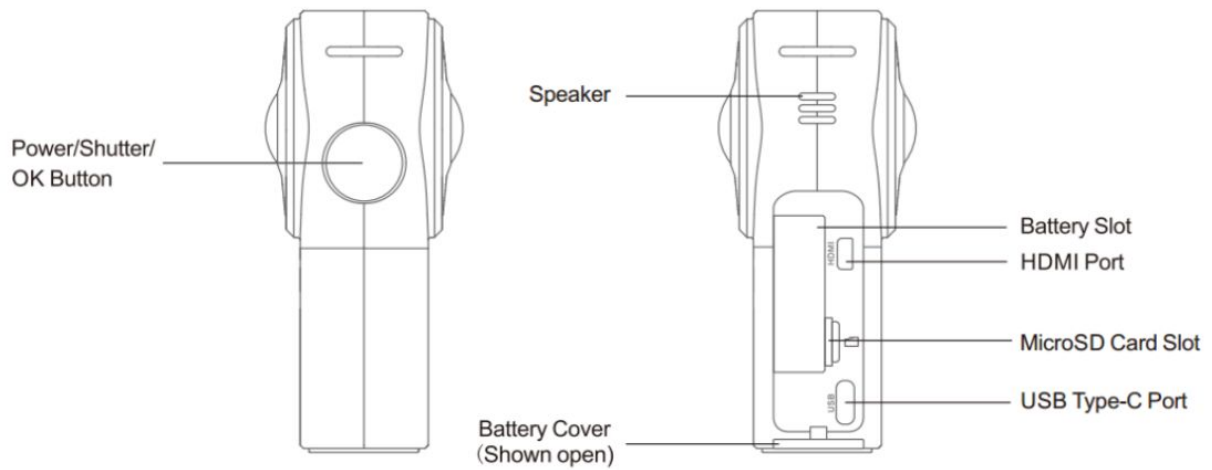
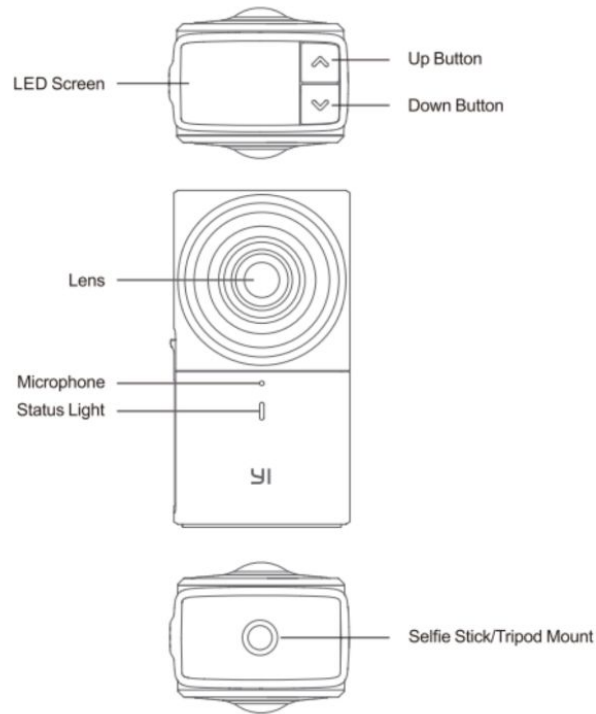


Yi 360 Camera operation manual

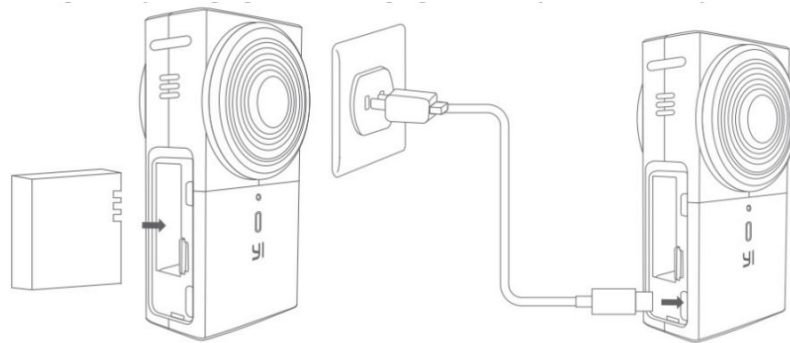


1. Overview

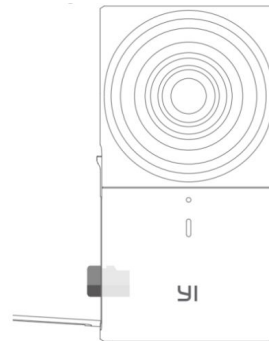


2. Before operation

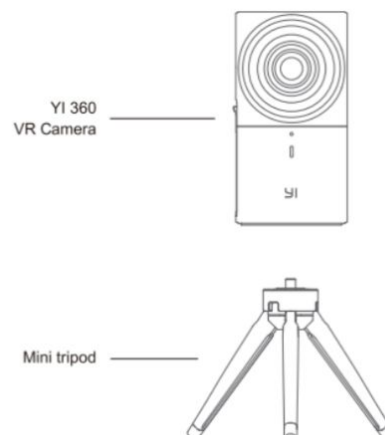
- 1) Ensure the battery is inserted and charge if necessary. A computer or a USB power supply can be used for charging. The battery must be charged when the camera is off. The camera can run directly from USB power in which case the battery has to be removed before operation.



- 2) Ensure the memory card is installed.



- 3) If required, mount the camera on a tripod.

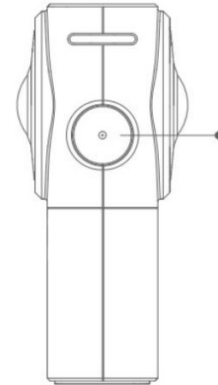


3. Camera operation

- 1) Long press the power/shutter/OK button.
The camera will **turn on**, followed by a sound indication. If this is your first time with the camera it is recommended to format the memory card*.

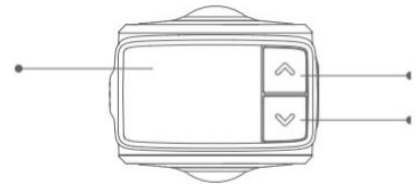
(In most cases the camera will automatically switch to the video mode shortly after the start, in which case the following step can be skipped.)

*Please see 5. *Memory formatting* below



- 2) Press Up/down button to select the menu, use the power/shutter/OK button to open.

(For the purpose of this project the camera comes pre-set for 360 video capture. Please select the 'Video' option from the menu.)



- 3) Press the power/shutter/OK button to start recording. You will see time indication of recording time elapsed. Press the button again to stop recording.
- 4) Long press the power/shutter/OK. The camera will **turn off**, followed by a sound indication. (In most cases, the camera will turn off automatically after several minutes without action.)

4. File transfer

After the recording session, please ensure that the camera is off and use the USB cable to connect it to a computer. Alternatively, the microSD memory card can be

removed and inserted into a computer's card reader using the microSD adapter supplied in the package. The camera will appear as an external drive, which can be browsed and copied from. The standard location for the media is ../DCIM/100MEDIA. For each video there are 3 files available - the file with the biggest size is the one containing the video.

5. Memory formatting

It is a good practice to format the memory card once the media is safely backed-up. This must be done in-camera:

- 1) Power on the camera.
- 2) Navigate to the 'System Settings' using the Up/down button in the camera menu.
- 3) Open the 'System Settings' by pressing the power/shutter/OK button.
- 4) Using the Up/down button scroll down to the 'Format SD card' option.
- 5) Press the power/shutter/OK button twice.
- 6) Once complete, scroll down to the 'Exit' option of the same menu and press the power/shutter/OK button.

6. Safety instructions from the manufacturer

1. Do not use YI 360 VR Camera near water. The camera is neither waterproof nor water resistant, so contact with water could result in permanent damage to the product as well as electric shock and injury to people. If the camera or accessories are exposed to moisture, please immediately disconnect the power supply.
2. Only use a dry cloth to clean. Do not rinse or immerse any element of the camera. Do not use soaps, detergents, ammonia, alkaline cleaners, bleach and/or abrasive cleaning compounds or solvents as these substances may damage electronic circuits.
3. Avoid exposure to excessive vibration. Be careful when carrying or moving this product. Do not drop. The internal mechanism is likely to be damaged by severe shock.
4. Maintain sufficient ventilation. Do not block any ventilation openings.
5. Do not operate or store near any heat source. Keep this product away from heat sources like radiators, heat registers, stoves, or any other apparatus that produce heat. Remove any batteries

before storage. Avoid storing in places under extreme temperature, severe vibration, strong magnetic fields, direct sunlight, damp areas and heat sources.

Recommended operating temperature for YI 360 VR Camera:

- Operating range: 0°C~35°C, 32°F~95°F, 15~90%RH

6. Handle the battery carefully.

- Only use batteries approved for use in this product.

Do not disassemble the battery. Do not expose the battery to flame or excessive heat.

- Do not use near or expose the battery to any chemicals.
- Keep the battery dry.
- Do not handle the battery if it is damaged or leaking. Battery disposal must be in accordance with local environmental regulations.
- Do not charge the YI internal battery with anything except AC Adapter (5V, 2A).
- Storing the battery fully charged or in very high or cold temperature conditions may reduce the battery life.

7. It is recommended to be used at least 20cm/8 inches away from the user.